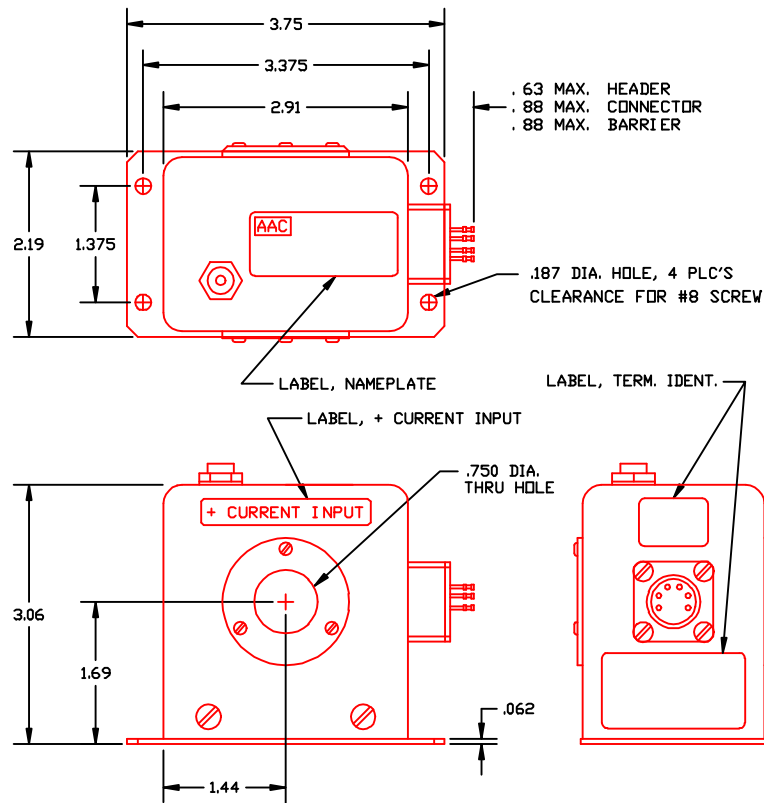


**DC CURRENT LEVEL DETECTOR  
SERIES 901B**



PART NO.	INPUT CURRENT	PART NO.	INPUT CURRENT
901B-20	.....0 to 20mA	901B-500	..... 0 to 500mA
901B-50	.....0 to 50mA	901B-1A	..... 0 to 1A
901B-100	.....0 to 100mA	901B-2A	..... 0 to 2A
901B-200	.....0 to 200mA	901B-5A	..... 0 to 5A
901B-250	.....0 to 250mA		

**INPUT**

CURRENT RANGE (Adc) .....	See Table
TRANSIENT PROTECTION	
VOLTAGE OF THRU CABLE .....	30KV (with insulated cable)
VOLTAGE TRANSIENT.....	500 Volts/u-sec.
CURRENT TRANSIENT .....	250 Amps/u-sec.
CURRENT CAPABILITY .....	250 Amps for 100 m-sec.

**OUTPUT "A"**

VOLTAGE SIGNAL .....	0 to +5Vdc FS (Full Scale)
LOAD .....	5K Ω ±1%
ACCURACY.....	±1% FS (±50mV)
RIPPLE .....	3% FS RMS max.
RESPONSE (10 TO 90%).....	50 m-sec. max.
TEMPERATURE COEFFICIENT.....	±0.1% FS/°C max.

**OUTPUT "B"**

VOLTAGE SIGNAL .....	18Vdc @ 10mA (Above set point)
	<0.05Vdc (Below set point)
SET POINT.....	Adjustable from 70% FS to 110% FS
SET POINT REPEATABILITY .....	±2% FS
RESPONSE TIME .....	50 m-sec max.

**POWER SUPPLY (PS)**

SUPPLY VOLTAGE .....	24Vdc ±3Vdc
CURRENT DRAIN.....	75mA max.
REVERSE POLARITY PROTECTION .....	10µA current drain without damage

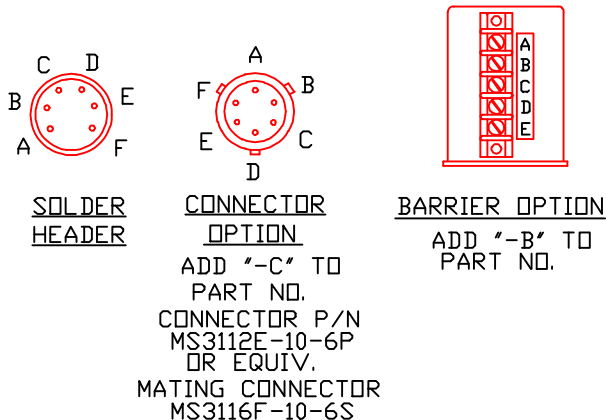
**ENVIRONMENTAL AND PHYSICAL CHARACTERISTICS**

OPERATING TEMPERATURE RANGE .....	-20°C to +70°C
STORAGE TEMPERATURE RANGE .....	-55°C to +85°C
INSULATION RESISTANCE .....	100 K-ohms (all terminals to case)
RIPPLE .....	40mV reflected onto pass-thru line
WEIGHT .....	1.75 lbs. Max.

**TERMINAL IDENTIFICATION**

- A. SUPPLY VOLTAGE (+)
- B. SUPPLY VOLTAGE (RTN)
- C. OUTPUT A (+)
- D. OUTPUT A (RTN)
- E. OUTPUT B (+)
- \* F. OUTPUT B (RTN)

\* **NOTE:** FOR BARRIER OPTION ONLY, TERMINALS "A-E" AS SHOWN. OUTPUT A (RTN) AND OUTPUT B (RTN) ARE COMMON AT TERMINAL D.



<b>AAC</b>	<b>Drawing Number 700-901B</b>	<b>Rev. G</b>
------------	------------------------------------	-------------------